



Datasheet

Economy LED Oyster- Galaxy version

CAT. NO. 659310GA, 659311GA



Cat. No.		659310GA	659311GA
Description		LED Oyster	LED Oyster with ON/OFF microwave sensor
Nominal Input Voltage		230 - 240 V a.c. 50 Hz	
Operation Mode		Switched Maintained	
Classification C ₀ /C ₉₀		Ceiling Mount: D63 / D63 Wall Mount: D12.5 / D12.5	
Power Consumption	Mains Only	15 W	
	Emergency Pack	3 W	
	Total	18 W	
Light Source		Selectable LED (3000K / 4000K / 5000K)	
Inrush Current		7.4 A	6.4 A
Driver Type		Fixed output / Non-Dimmable	
Sensor Type		N/A	Microwave
CRI		>80	
Light Source Life (LSL)		50,000 hours @ L70	
Luminaire Output	Mains Mode	3000K - 1,250 lm 4000K - 1,400 lm 5000K - 1,450 lm	
	Emergency Mode	3000K - 1,250 lm 4000K - 1,400 lm 5000K - 1,450 lm	
Luminaire Efficacy		95 lm/W (4000K)	
Power Factor		> 0.9	
IK Rating		IK06	
IP Rating		IP44	
Body Construction		Polycarbonate	
Diffuser Construction		Opal Polycarbonate	
Product Weight		1.6 kgs	
Compliance		AS/NZS 60598, AS/NZS 2293	
Product Marking		 	



Economy LED Oyster- Galaxy version

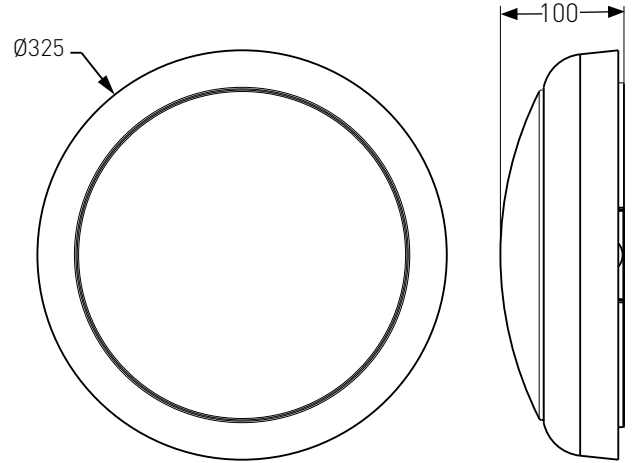
CAT. NO. 659310GA, 659311GA



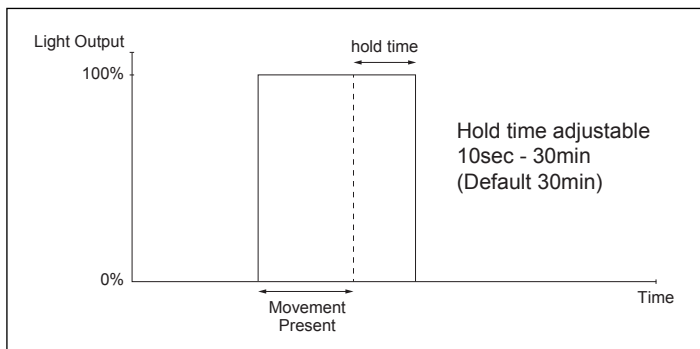
FEATURES

- Twist lock cover for ease of installation.
- Large terminal block.
- Hinged gear tray for ease of maintenance.
- Tri-colour LEDs (3000K/4000K/5000K) selection.
- Available with integrated On/Off Microwave sensor option.
- 5 Year Warranty

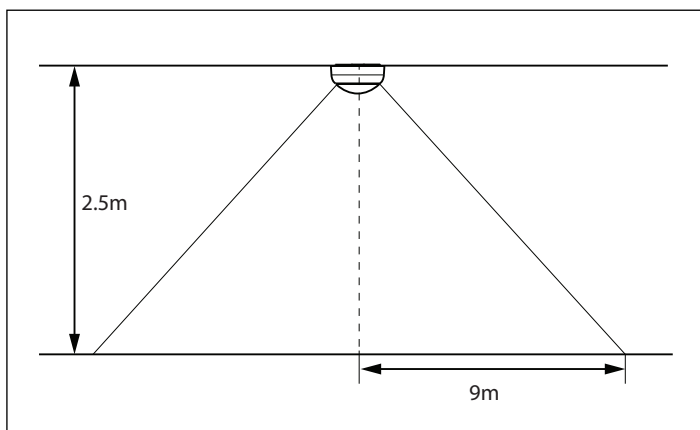
DIMENSIONS



ON/OFF SENSOR FUNCTION



DETECTION RANGE



Note: All dimensions are in mm.

Legrand - Australia
1300 369 777
www.legrand.com.au
ABN 31 000 102 661

Legrand - New Zealand
0800 476 009
www.legrand.co.nz

Refer to your group buying office, Legrand Sales Representative or Legrand Sales office for pricing.

Please note: specifications are subject to change without prior notice.



LE13302AA

09/2021